



# i3LYFT Flexible mounting solution

**AV-Concept ApS**  
Professionelt AV-Udstyr



## Wall mounted

The i3LYFT wall mount has fast and smooth electrical height adjustment for your touch screen. The height of your interactive display can be adjusted effortlessly to the height of the user thanks to the double lifting columns, making it easily accessible for everyone.

## Mobile

On the move? The i3LYFT mobile mount gives you the same smooth electrical height adjustment, but allows you to take your interactive display anywhere you need it. The height of your interactive display can be adjusted effortlessly to the height of the user and the mobile mount allows you to take it from boardroom to classroom, making it easily accessible for everyone.

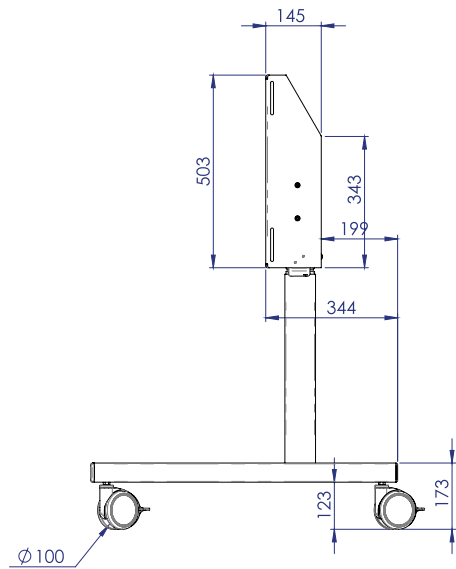
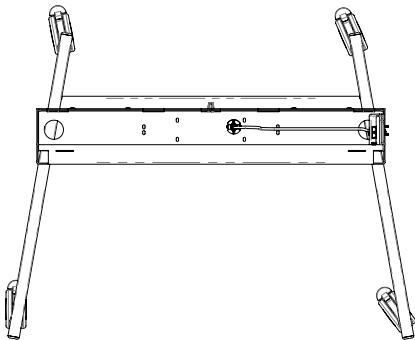
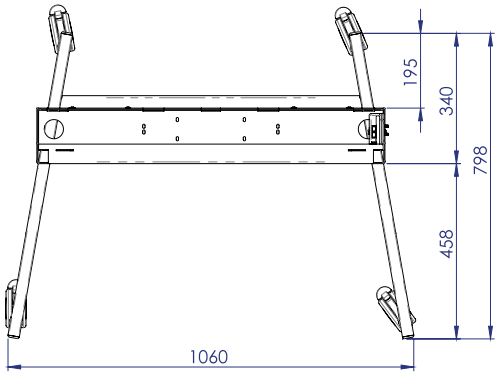
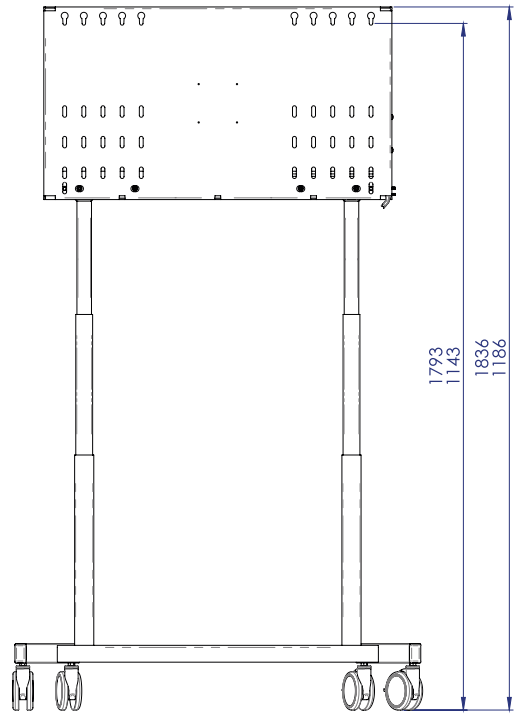
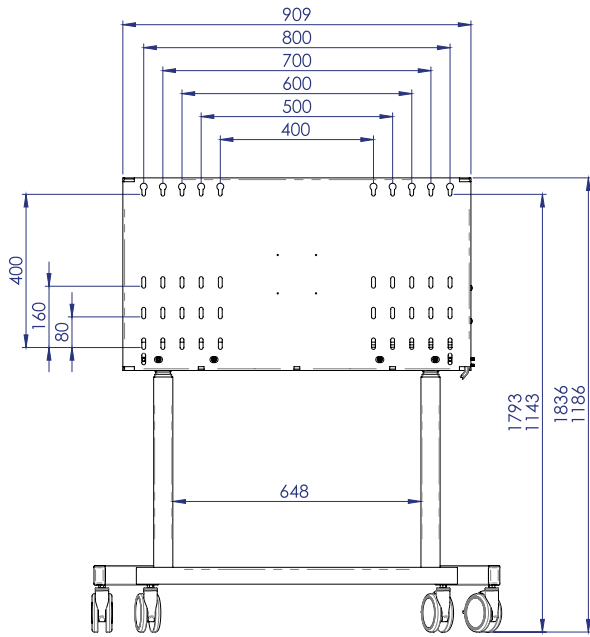


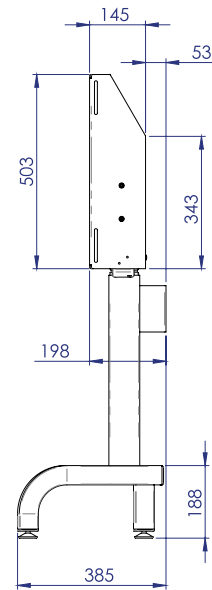
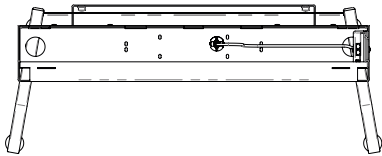
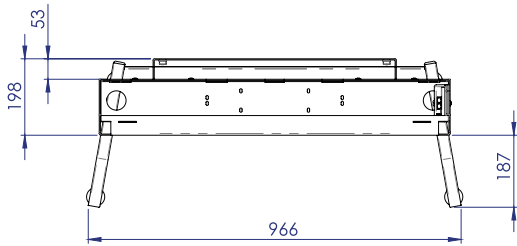
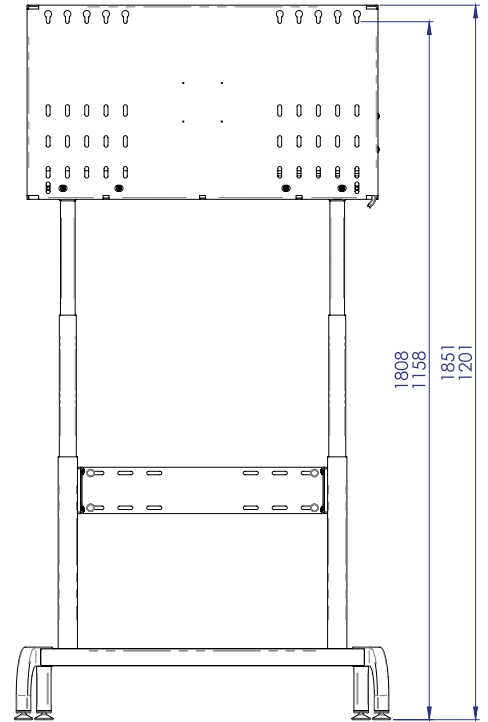
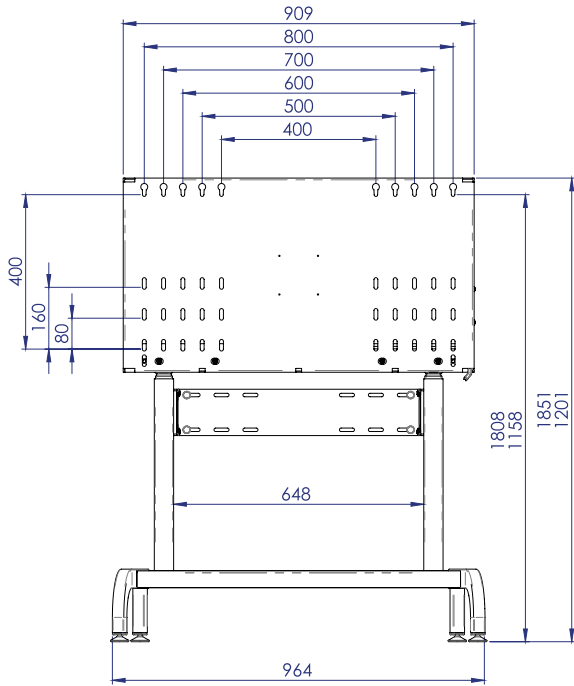
## PRODUCT SPECIFICATIONS - MOBILE

Model name	i3LYFT
Maximum display load	120 kg
Maximum display size	86 inch
Net weight	49 kg
Packaged weight	58 kg
Packaged dimensions	1200 x 810 x 215 (L x B x H)
VESA Flat display mounting interface	VESA 400 X 400, 500 X 400, 600 X 400, 700 X 400, 800 X 400
Height adjustable method	Electrical lift, low noise < 55 dB(A)
Height stroke	650 mm
Minimum height (center VESA)	943 mm
Maximum height (center VESA)	1593 mm
Color	Black (RAL 9005/30)
Storage space	900 x 140 x 295
Storage cable entry	50 mm diameter (left & right)
Mobility	4 X rotating wheels diameter 100 mm with lock
Installation method	Mobile on wheels
Power input	230 Volt / 60 Hertz
Power consumption	Standby: 0.1 Watt - In operation: Max 200 Watt
Regulatory	Approved in accordance with EN 60335-1 and UL 962, and all relevant CE regulations.
Warranty	5 years
Optional accessory	Adapter i3LYFT for VESA 800*600

## PRODUCT SPECIFICATIONS - WALLMOUNT

Model name	i3LYFT
Maximum display load	120 kg
Maximum display size	86 inch
Net weight	49 kg
Packaged weight	58 kg
Packaged dimensions	1200 x 810 x 215 (L x B x H)
VESA Flat display mounting interface	VESA 400 X 400, 500 X 400, 600 X 400, 700 X 400, 800 X 400
Height adjustable method	Electrical lift, low noise < 55 dB(A)
Height stroke	650 mm
Minimum height (center VESA)	943 mm
Maximum height (center VESA)	1593 mm
Color	Black (RAL 9005/30)
Storage space	900 x 140 x 295
Storage cable entry	50 mm diameter (left & right)
Mobility	Fixation on the wall
Installation method	Fixation on the wall
Power input	220 Volt / 60 Hertz
Power consumption	Standby: 0.1 Watt - In operation: Max 200 Watt
Regulatory	Approved in accordance with EN 60335-1 and UL 962, and all relevant CE regulations.
Warranty	5 years
Optional accessory	Adapter i3LYFT for VESA 800*600





**AV-Concept ApS**  
 Professionelt AV-Udstyr